

# JAP02SN

## GE® 24" Self Clean Free-Standing Electric Range

### Dimensions and Installation Information (in inches)

KW Rating	
240V	7.4
208V	9.8
Breaker Size	
40 Amps†	

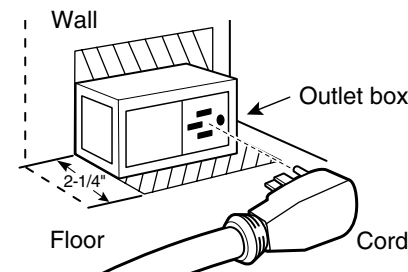
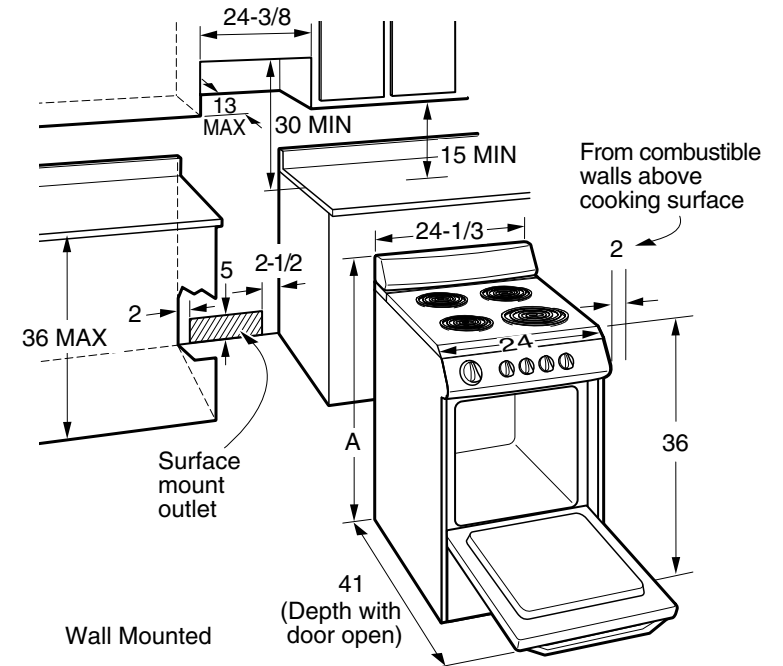
†**Note:** Check local codes for required breaker size.

Effective January 1, 1996, the National Electrical Code requires that new construction (not existing) utilize a 4-conductor connection to an electric range.

**Receptacle Locations:** Locally approved flexible service cord or conduit must be used because terminals are not accessible after range installation. See shaded area in drawing for location of electrical outlet box. Recommended outlet locations allow range to be installed directly against wall.

**One Year Warranty:** Entire Appliance: Parts and Labor; In-Home

**Installation Information:** Before installing, consult installation instructions packed with product for current dimensional data.



A= 44-2/3 for model JAS02SNSS and 47 for model JAP02SNSS.

Recommended acceptable electrical outlet area. Orient the electrical receptacle so the length is parallel to the floor.

For answers to your Monogram®, GE Profile™ or GE® appliance questions, visit our website at [ge.com](http://ge.com) or call GE Answer Center® service, 800.626.2000.



All GE ranges are equipped with an Anti-Tip device. The installation of this device is an important, required step in the installation of the range.



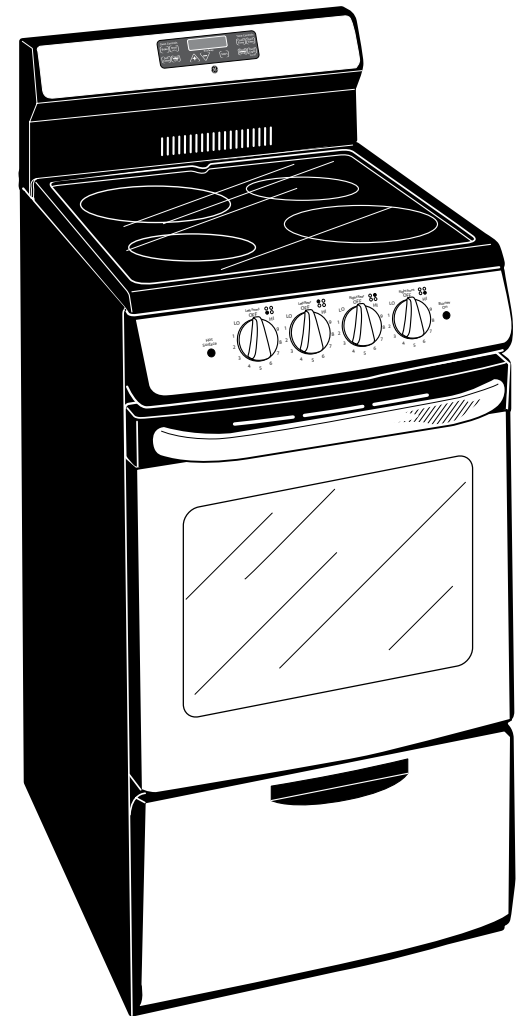
Listed by Underwriters Laboratories

# JAP02SN

## GE® 24" Self Clean Free-Standing Electric Range

### Features and Benefits

- Self-Clean Oven - Conveniently cleans the oven cavity without the need for scrubbing
- Ceramic Glass Cooktop - A smooth cooktop surface makes cleaning quick and easy
- 8" Element
- 6" Element
- ClearView™ Window - Features a convenient viewing area to check the progress of food
- Removable Full Width Storage Drawer - This convenient drawer can be used for storing cookware or kitchen accessories
- Electronic Clock And Timer - Features a convenient digital clock and easy-to-use timer with an audible signal to help coordinate cooking times in the kitchen
- Upfront Controls - Controls are placed within easy reach at the front center of the cooktop
- Element "On" Indicator Lights
- Audible Preheat Signal - Features an audible signal that activates when the oven has reached the desired cooking temperature
- Delay Self-Clean
- Delay Bake
- Auto Oven Shut off
- Broiler Pan With Grid - Convenient broiler pan can be used when broiling for crisping and browning
- Model JAP02SNSS - Stainless Steel



imagination at work